



GMC 1818

GMC-Series

STANDARD FEATURES

- High Intensity 40kHz Ultrasonics
- Stainless steel cleaning tank
- Pump and dual in-line cartridge filters
- Surface sparger and overflow weir with reservoir
- Low liquid level protection for heaters, ultrasonics and recirculation pump
- Programmable 7 day heater timer
- One standard parts basket
- Hinged tank lid
- Heavy duty locking casters for ease of portability
- High flow dual drain valves
- Drain back tray
- Simple to use controls with digital readout for tank temperature and cycle timers
- Sloped to drain tank bottom
- Fully self-contained

GMC-Series

GMC 1818 / GMC 3523

All specifications are subject to change without notice

Blackstone-NEY Ultrasonics

(800) 766-6606
 P.O. Box 220
 9 N. Main St.
 Jamestown, NY 14702-0220
www.ctgclean.com

GMC ultrasonic cleaning systems are available in two sizes. The larger can accommodate parts with one dimension up to 35 inches and weighing up to 125 pounds. Both units are completely self-contained, are supported on casters and operate from commonly available power supplies making them easy to move where needed for either in-place or utility cleaning. Both systems include a pump and dual cartridge filtration, a surface sparger, automated controls for heat, pump and ultrasonics, a lid and one standard basket. A drip pan (the open hinged lid in the case of the GMC 1818 or attached to the side of the tank in the case of the GMC 3523) allows draining one basket of parts while cleaning another. These portable ultrasonic parts washers are found useful in a variety of applications including the following and more -

- Automotive Maintenance, Rebuilding and Restoration
- Flood, Fire and Storm Damage Cleanup
- Metallic and Ceramic Filter Cleaning
- Printing Equipment Maintenance
- General Maintenance Cleaning in Shop Environments

Ransohoff

(800) 248-9274
 4933 Provident Drive
 Cincinnati, OH 45246

CTG Asia

(86)0512-66161698
 56 Songshan Road
 Suzhou New District
 Jiangsu Province, China PRC: 215151



CLEANING TECHNOLOGIES GROUP

RANSOHOFF • BLACKSTONE-NEY ULTRASONICS • CTG ASIA



GMC 3523

MODEL NUMBER	GMC-1818 (120 volt)	GMC-1818 (240 volt)	GMC-3523	Standard – Neptune® - 40 KHz
TANK INTERNAL	17.5" x 18" x 20" (445mm x 460mm x 510mm)	17.5" x 18" x 20" (445mm x 460mm x 510mm)	35" x 19.5 x 13" (890mm x 495mm x 330mm)"	Options
LIQUID DEPTH	18.5" (465mm)	18.5" (465mm)	11" (280mm)	• Neptune® - 25 KHz
BASKET INTERNAL	16" x 16" (406mm x 406mm)	16" x 16" (406mm x 406mm)	32.5" x 17.25" (825mm x 438mm)	• sweepSONIK® - 40, 72 or 104 KHz
SYSTEM OVERALL	40"* x 34.5" x 44" (1015mm* x 875mm x 105mm)	40"* x 34.5" x 44" (1015mm* x 875mm x 105mm)	50" x 31.5" x 27" (1270mm x 800mm x 685mm)	• multiSONIK® - 40, 72 and 104 KHz
LIQUID CAPACITY	28 Gallons (105 Liters)	28 Gallons (105 Liters)	40 Gallons (152 Liters)	• multiSONIK 2® - 40, 80, 120, 140, 170, 220 and 270 KHz
ULTRASONICS @ 40KHZ	1,280 watts	1,280 watts	1,920 watts	
HEAT	1,800 watts	4,000 watts	4,000 watts	
INPUT POWER	120 VAC, 20 FLA, 1 phase, 50/60 Hz	240 VAC, 30 FLA, 1 phase, 50/60 Hz	240 VAC, 30 FLA, 1 phase, 50/60 Hz	
SHIPPING WEIGHT	550 pounds	550 pounds	550 pounds	
SHIPPING DIMENSIONS	42" x 36" x 53" (1.1m x .9m x 1.3m)	42" x 36" x 53" (1.1m x .9m x 1.3m)	56" x 42" x 48" (1.4m x 1.1m x 1.2m)	

All dimensions are nominal.

*Overall dimension includes the hinged cover in the open position GMC units are available with other single and multiple frequency ultrasonic configurations.

ORDERING INFORMATION – PART NUMBERS Accessories (Can be added at any time except as noted)

MODEL NUMBER	BASE UNIT	TRANSFORMER 208 VOLTS SINGLE PHASE	TRANSFORMER 480 VOLTS THREE PHASE	AUTO FILL	BELT-TYPE OIL SKIMMER IN RESERVOIR	ADDITIONAL BASKET(S) EA.	TASK LIGHT
GMC-1818 (120 volt)	11-0409-001	N/A	N/A	4251433	110482*	4301728	N/A
GMC-1818 (240 volt)	110165	101506	102781	108344	110043	4301728	08-0513-059
GMC-3523	110166	101506	102781	108344	110043	4301696	08-0513-059

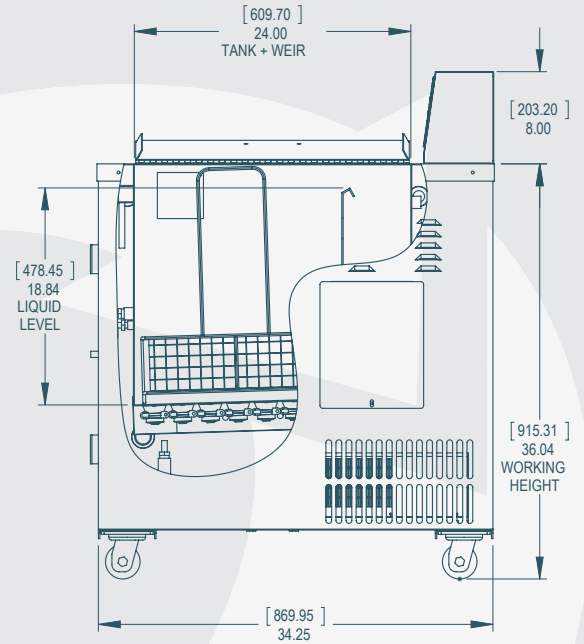
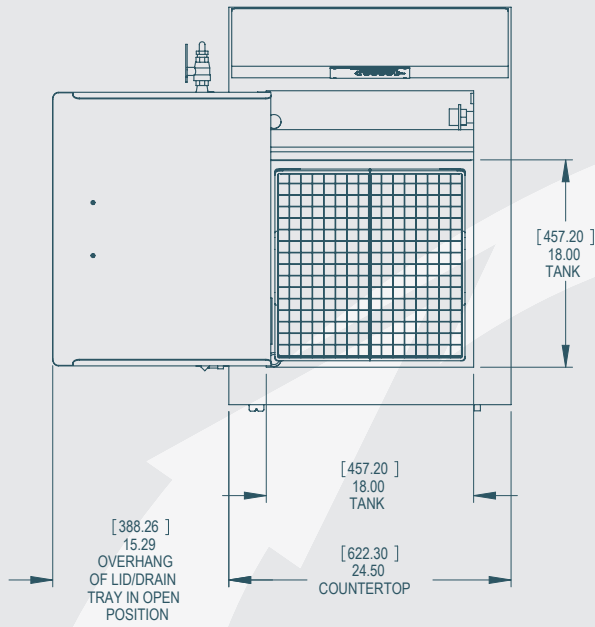
* Requires lid modification



CLEANING TECHNOLOGIES GROUP

RANSOHOFF • BLACKSTONE-NEY ULTRASONICS • CTG ASIA

GMC-1818 GENERAL ARRANGEMENT



GMC-3523 GENERAL ARRANGEMENT

